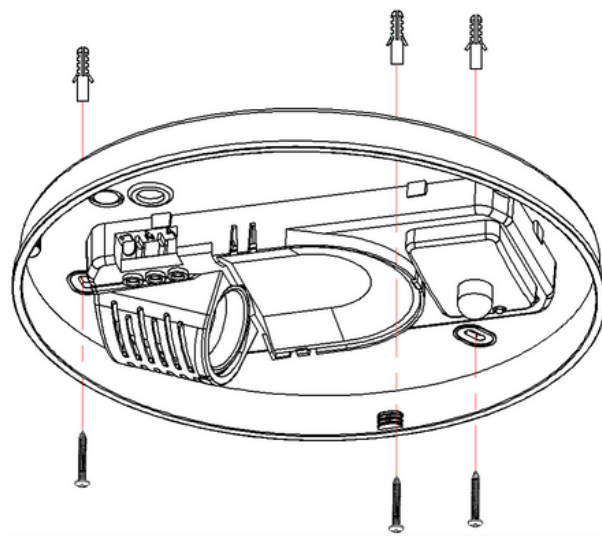
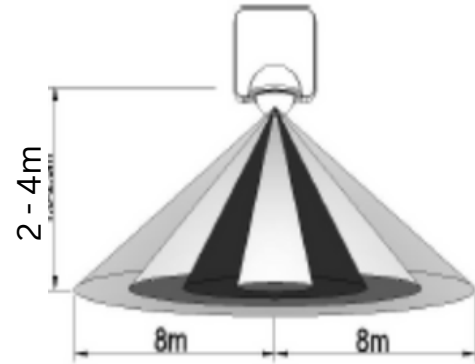


# Sensor LED Lamp

## ST702 Microwave LED Sensor Lamp



Brand	STARLUX
Product Code	ST702



### Technical specification

Sensor type	Microwave sensor	Detection distance	1-8m (radius), adjustable
IP rating	IP44	Detection of moving speed	0.6 - 1.5 m/s
Delay time	Min. 10sec±3sec Max. 12min±1min	Color	white
Ambient Light	<3-2000LUX (adjustable)	Power Sourcing:	220-240V AC
Operating temperature	-20 +40C	Detection Range:	360
Material	PC+Glass	HF System	5.8GHz CW radar, ISM band
Rated Load	60W/E27	Additional switching capacity:	300W

Installing Height: 2-4m