

IS 3360

DALI-2 Input Device - surface, rd.
EAN 4007841 057251
Article number 057251



infrared sensor 360°



max. 20 m



IP54



2 - 1000 lux



ideal 2,5 - 4 m



energy saving

5 years

manufacturer's warranty
steinel-professional.de/
garantie



CE

Function description

Higher, further, faster. Infrared presence detector IS 3360 for indoors and out, ideal for watching over high spaces and large areas, such as multi-storey and underground car parks, installation height up to 4 m, 360° angle of coverage, reach 20 m max. (tangential). Available either in round or square surface-mounted and concealed version. DALI-2 Input Device enables sensors to communicate collected sensor data to higher-level lighting management systems (e.g. LiveLink).

Technical specifications

Dimensions (Ø x H)	126 x 65 mm
With motion detector	Yes
Manufacturer's Warranty	5 years
Settings via	Bus
With remote control	No
Version	DALI-2 Input Device - surface, rd.
PU1, EAN	4007841057251
Type	Motion and Presence Detector
Application, place	Outdoors, Indoors
Application, room	production facilities, recreation room, changing room, function room / ancillary room, sports hall, reception / lobby, stairwell, WC / washroom, multi-storey / underground car park, outdoors, warehouse, Indoors
Colour	white
Colour, RAL	9003

Sensor Technology	Passive infrared
Mounting height	2,5 – 4,00 m
Mounting height max.	4,00 m
Optimum mounting height	2,8 m
Detection angle	360 °
Angle of aperture	180 °
Sneak-by guard	Yes
Capability of masking out individual segments	Yes
Electronic scalability	No
Mechanical scalability	No
Reach, radial	Ø 8 m (50 m ²)
Reach, tangential	Ø 40 m (1257 m ²)
Reach, presence	Ø 3 m (7 m ²)
Switching zones	1416 switching zones
Twilight setting	2 – 1000 lx
Basic light level function	No

IS 3360

DALI-2 Input Device - surface, rd.
EAN 4007841 057251
Article number 057251



Technical specifications

Includes corner wall mount	No
Installation site	ceiling
Installation	Surface wiring, Ceiling
IP-rating	IP54
Ambient temperature	-20 – 50 °C
Material	Plastic
Mains power supply	12 – 22,5 V / 50 – 60 Hz
Switching output 1, floating	No
Power supply, detail	DALI bus
Number of Dali users	3
Control output, Dali	Addressable/slave

Main light adjustable	No
Twilight setting TEACH	No
Constant-lighting control	No
Interconnection	Yes
Type of interconnection	Master/slave
Interconnection via	DALI bus

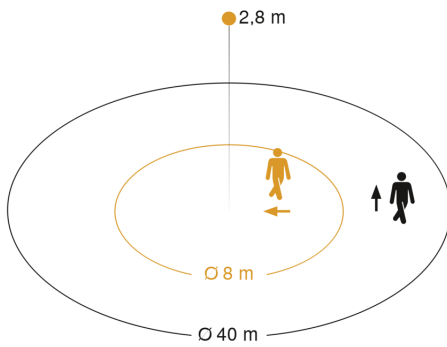
Accessories

EAN 4007841 009151	Remote control Smart Remote
EAN 4007841 056735	Black cover for IR-sensors

IS 3360

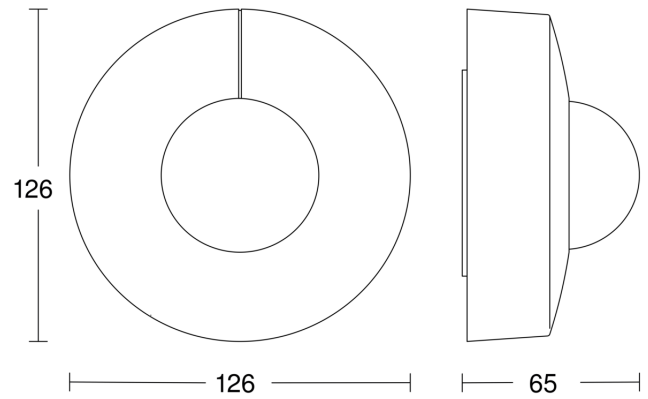
DALI-2 Input Device - surface, rd.
EAN 4007841 057251
Article number 057251

Detection Zone



Mögliche Montagehöhe: 2,50 m – 4,00 m
Orange: radial
Schwarz: tangential

Dimension Drawing



Circuit diagram

