

Presence detector - Professional Line

# HF 360

COM1

EAN 4007841 002800



high frequency  
sensor 360°



max. Ø 12 m

2000w

2000 W max.  
(LED-ready)



IP20



ideal 2,5 - 3,5 m



indoor sensor

iQ

iQ-mode

TEACH

Teach mode



energy saving

5 JAHRE  
HERSTELLER  
GARANTIE

manufacturer's  
warranty  
[steinel-professional.de/garantie](http://steinel-professional.de/garantie)

## Function description

Doesn't miss a thing. HF-presence detector Presence Control PRO HF 360 COM1 for indoors, ideal for WCs with toilet cubicles, changing rooms, stairwells, multi-storey car parks, kitchens, installation height up to 3.5 m, for switching light 'ON' and 'OFF', 1 – 12 m reach, reach is electronically adjustable and can be limited in two directions, detection regardless of temperature, HF-sensor technology also detects movement through glass, wood and stud walls.

# HF 360

COM1

EAN 4007841 002800

## Technical specifications

Type	Presence detector
Dimensions (L x W x H)	56 x 120 x 120 mm
Mains power supply	230 V / 50 – 60 Hz
Sensor Technology	High frequency
Application, place	Indoors
Installation site	ceiling
Installation	Concealed wiring
Mounting height	2,50 – 3,50 m
Reach, radial	Ø 12 m (113 m <sup>2</sup> )
Reach, tangential	Ø 12 m (113 m <sup>2</sup> )
Reach, detail	1 or 2 detection directions can be masked out by stickers for adjustment to the room situation.
HF-system	5,8 GHz
Detection angle	360 °
Angle of aperture	140 °
Optimum mounting height	2,8 m
Mechanical scalability	No
Sneak-by guard	Yes
Capability of masking out individual segments	Yes
Electronic scalability	Yes
Detection	also through glass, wood and stud walls

Twilight setting TEACH	Yes
Twilight setting	10 – 1000 lx
Time setting	30 s – 30 Min.
Constant-lighting control	No
Basic light level function	No
Functions	Normal / test mode, Semi-/fully automatic, Pushbutton / switch mode, Manual ON / ON-OFF
Settings via	Remote control, DIP switches, Potentiometers, Smart Remote
With remote control	No
Interconnection	Yes
Type of interconnection	Master/master, Master/slave
IP-rating	IP20
Material	Plastic
Ambient temperature	-25 – 55 °C
Application, room	function room / ancillary room, kitchenette, stairwell, WC / washroom, Indoors
Colour	white
Colour, RAL	9010
Manufacturer's Warranty	5 years
Version	COM1
PU1, EAN	4007841002800

## Accessories

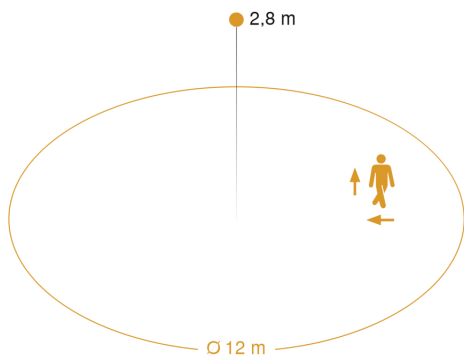
EAN 4007841 000363	Surface-mounting adapter Control PRO AP Box (IP54)
EAN 4007841 003036	Control PRO guard cage
EAN 4007841 009151	Remote control Smart Remote
EAN 4007841 006600	HF-ceiling adapter
EAN 4007841 559410	Service remote control RC8

# HF 360

COM1

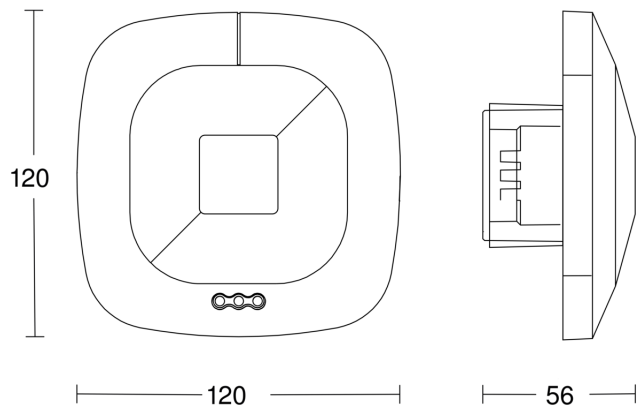
EAN 4007841 002800

## Detection Zone

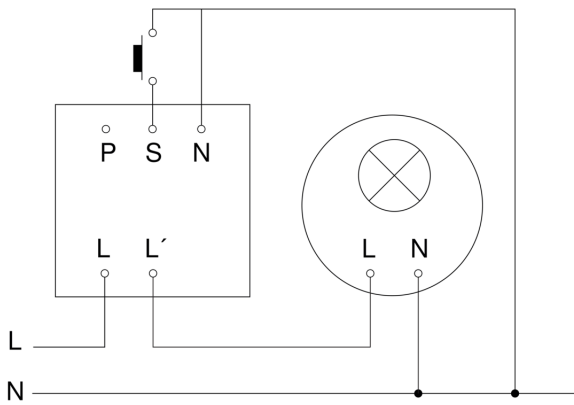


Mögliche Montagehöhe: 2,50 m – 3,50 m  
Orange: radial und tangential

## Dimension Drawing



## Master circuit diagram

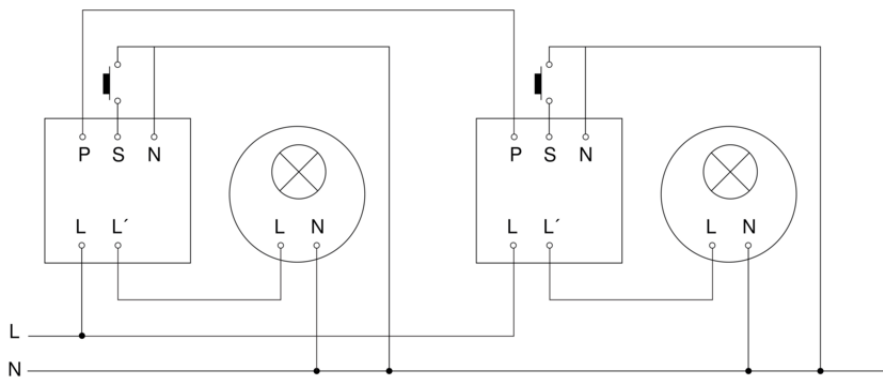


# HF 360

COM1

EAN 4007841 002800

Master/master interconnection circuit diagram



Master/slave interconnection circuit diagram

