

IR Quattro 8m

DALI-2 APC - concealed
 EAN 4007841 002749
 Article number 002749



infrared sensor
360°



max. 4 x 4 m
presence



IP20



ideal 2,5 - 8 m



indoor sensor



iQ-mode



Teach mode



energy saving



5 years
 manufacturer's
 warranty steinel-
 professional.de/
 garantie



CE

Function description

Squaring the circle. Infrared presence detector Presence Control PRO IR Quattro DALI-2 Application Controller for indoors, ideal for small offices, store, service and utility rooms, washrooms and WCs, installation height up to 8 m, with digital DALI-2 Application Controller interface for controlling 2 lighting channels, 1760 switching zones for excellent detection quality, square presence detection zone covering 16 m², mechanically scalable.

Technical specifications

Dimensions (L x W x H)	76 x 120 x 120 mm
Manufacturer's Warranty	5 years
Settings via	Remote control, DIP switches, Potentiometers, Smart Remote
With remote control	No
Version	DALI-2 APC - concealed
PU1, EAN	4007841002749
Type	Presence detector
Application, place	Indoors
Application, room	one-person office, conference room / meeting room, duty room, recreation room, changing room, function room / ancillary room, kitchenette, Indoors
Colour	white
Colour, RAL	9010
Includes corner wall mount	No
Installation site	ceiling
Installation	Concealed wiring, Ceiling

Optimum mounting height	2,8 m
Detection angle	360 °
Angle of aperture	100 °
Sneak-by guard	Yes
Capability of masking out individual segments	No
Electronic scalability	No
Mechanical scalability	Yes
Reach, radial	5 x 5 m (25 m ²)
Reach, tangential	7 x 7 m (49 m ²)
Reach, presence	4 x 4 m (16 m ²)
Switching zones	1760 switching zones
Functions	Normal / test mode, Semi-/fully automatic, Pushbutton / switch mode, Manual ON / ON-OFF, Constant-lighting control ON-OFF
Twilight setting	10 – 1000 lx
Time setting	30 s – 30 Min.

IR Quattro 8m

DALI-2 APC - concealed
EAN 4007841 002749
Article number 002749



Technical specifications

IP-rating	IP20	Basic light level function	Yes
Ambient temperature	0 – 40 °C	Basic light level function time	1-60 min, all night
Material	Plastic	Main light adjustable	50 - 100 %
Mains power supply	230 V / 50 – 60 Hz	Twilight setting TEACH	Yes
Control output, Dali	Broadcast 2x12 electronic ballasts	Constant-lighting control	Yes
Sensor Technology	Passive infrared	Interconnection	Yes
Mounting height	2,50 – 8,00 m	Type of interconnection	Master/slave
Mounting height max.	8,00 m	Interconnection via	Cable

Accessories

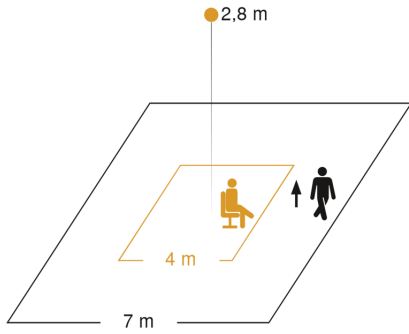
EAN 4007841 592806	User remote control RC5
EAN 4007841 003036	Control PRO guard cage
EAN 4007841 000363	Surface-mounted adapter Control Pro IP54
EAN 4007841 009151	Remote control Smart Remote
EAN 4007841 559410	Service remote control RC8

IR Quattro 8m

DALI-2 APC - concealed
 EAN 4007841 002749
 Article number 002749

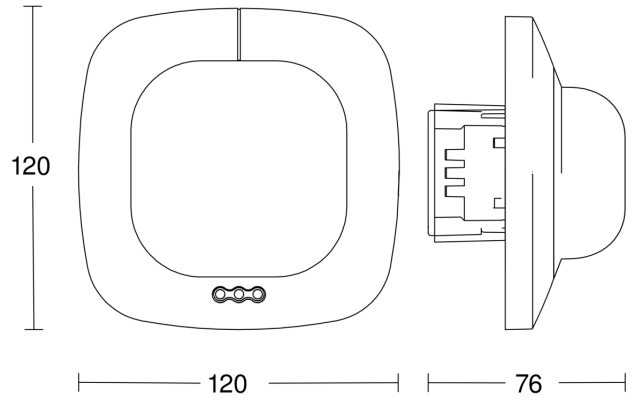


Detection Zone

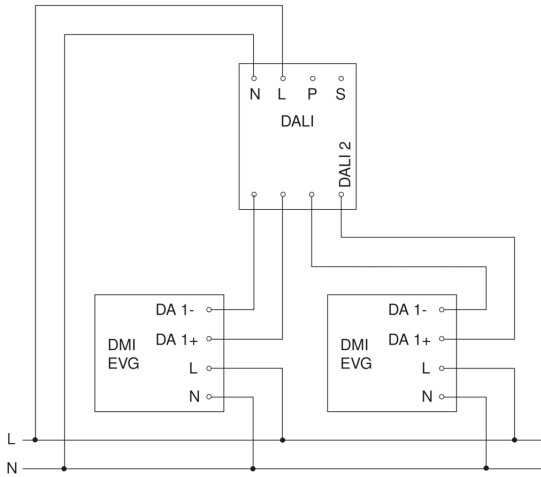


Mögliche Montagehöhe: 2,50 m – 8,00 m
 Orange: Präsenz
 Schwarz: tangential

Dimension Drawing



Master circuit diagram



Master/master interconnection circuit diagram

