

IS 2300 ECO

white

EAN 4007841 034719



infrared sensor
300°



max. 12 m

2000w

max. 2000 W



IP54



80° horizontal



2 - 2000 lux



10 sec - 15 min



Ideal 2 m



energy saving



5 JAHRE
HERSTELLER
GARANTIE
www.steinel.de/garantie
manufacturer's
warranty
steinel-professional.de/garantie

Function description

One for every corner. Infrared motion detector IS 2300 ECO, for indoors and out, ideal for corner situations, irregular shaped spaces, corridors, installation height 2 m, 300° angle of coverage, max. reach 12 m (tangential), selectable time and twilight threshold, turning sensor head (80°) for precision targeting.

Technical specifications

Type	Motion detectors
Dimensions (L x W x H)	85 x 60 x 95 mm
Mains power supply	230 – 240 V / 50 Hz
Sensor Technology	passive infrared
Application, place	Indoors
Application, place, room	outdoors, front door, all round the building, terrace / balcony, courtyard & driveway
Installation site	wall, corner
Installation	Surface wiring
Switching zones	456 switching zones
Electronic scalability	No
Mechanical scalability	No
Mounting height	1,80 – 4,00 m
Optimum mounting height	2 m
Detection angle	300 °
Angle of aperture	180 °
Sneak-by guard	Yes
Capability of masking out individual segments	Yes
Reach, tangential	r = 12 m (377 m ²)

Twilight setting TEACH	No
Twilight setting	2 – 2000 lx
Time setting	10 s – 15 Min.
Switching output 1, resistive	2000 W
Constant-lighting control	No
Basic light level function	No
Settings via	Potentiometers
With remote control	No
Interconnection	Yes
IP-rating	IP54
Material	Plastic
Ambient temperature	-20 – 50 °C
Colour	white
Colour, RAL	9010
IDs, certificates	VDE
Manufacturer's Warranty	5 years
Version	white
PU1, EAN	4007841034719

IS 2300 ECO

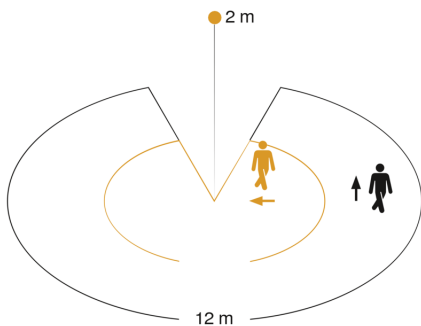
white
EAN 4007841 034719



Accessories

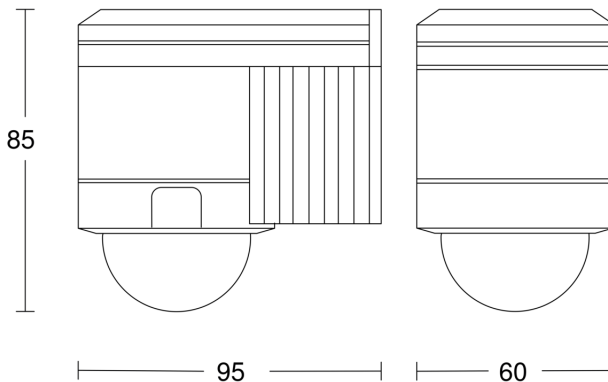
EAN 4007841 630119	Corner wall mount 01
EAN 4007841 630218	Corner wall mount 01

Detection Zone

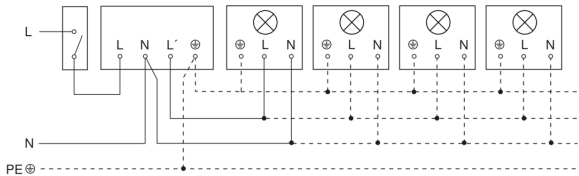


Mögliche Montagehöhe: 1,80 m – 4,00 m
Orange: radial
Schwarz: tangential

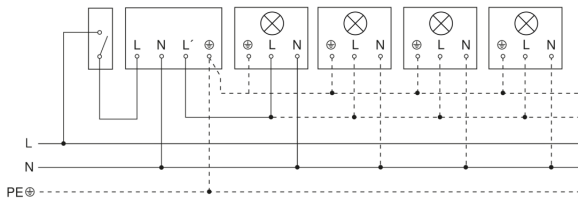
Dimension Drawing



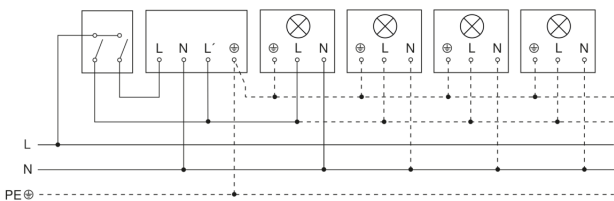
Light without neutral conductor



Light with neutral conductor



Connection using two-circuit switch for manual and automatic operation



Connection via a two-way switch for manual override and automatic operation

