

## Motion detector

# IS 240 DUO

black  
EAN 4007841 602710  
Article number 602710



infrared sensor  
240°



max. 12 m

1000 W

1000 W max. (LED-ready)



IP54



Sensor 160°  
horizontal



2 - 2000 lux



10 sec - 15 min



Ideal 2 m



energy saving

3 years

manufacturer's  
warranty  
steinel.de/  
garantie3y

## Function description

Round the corner. Infrared wall sensor IS 240 DUO, for indoors and out, 240° angle of coverage, reach up to 12 m, selectable time and twilight threshold, detection zone can be customised with shrouds.

## Technical specifications

|                            |                                                                                       |                                               |                                |
|----------------------------|---------------------------------------------------------------------------------------|-----------------------------------------------|--------------------------------|
| Dimensions (L x W x H)     | 100 x 60 x 90 mm                                                                      | LED lamps < 2 W                               | 16 W                           |
| Manufacturer's Warranty    | 3 years                                                                               | LED lamps > 2 W < 8 W                         | 64 W                           |
| Settings via               | Potentiometers                                                                        | LED lamps > 8 W                               | 64 W                           |
| With remote control        | No                                                                                    | Capacitive load in µF                         | 132 µF                         |
| Version                    | black                                                                                 | Sensor Technology                             | Passive infrared               |
| PU1, EAN                   | 4007841602710                                                                         | Mounting height                               | 1,80 – 4,00 m                  |
| Type                       | Motion detectors                                                                      | Mounting height max.                          | 4,00 m                         |
| Application, place         | Indoors, Outdoors                                                                     | Optimum mounting height                       | 2 m                            |
| Application, room          | outdoors, front door, all round the building, terrace / balcony, courtyard & driveway | Detection angle                               | 240 °                          |
| Colour                     | black                                                                                 | Angle of aperture                             | 180 °                          |
| Colour, RAL                | 9005                                                                                  | Sneak-by guard                                | Yes                            |
| Includes corner wall mount | Yes                                                                                   | Capability of masking out individual segments | Yes                            |
| Installation site          | wall, corner                                                                          | Electronic scalability                        | No                             |
| Installation               | Surface wiring, Wall, corner                                                          | Mechanical scalability                        | No                             |
| IP-rating                  | IP54                                                                                  | Reach, radial                                 | r = 5 m (52 m <sup>2</sup> )   |
| Protection class           | II                                                                                    | Reach, tangential                             | r = 12 m (302 m <sup>2</sup> ) |
|                            |                                                                                       | Switching zones                               | 276 switching zones            |

<https://www.steinel.de>

Subject to technical modifications

03.2023 Page 1 from 3

Motion detector

# IS 240 DUO

black  
EAN 4007841 602710  
Article number 602710



## Technical specifications

|                                                        |                     |
|--------------------------------------------------------|---------------------|
| Ambient temperature                                    | -20 – 50 °C         |
| Material                                               | Plastic             |
| Mains power supply                                     | 230 – 240 V / 50 Hz |
| Switching output 1, resistive                          | 1000 W              |
| Switching output 1, number of LEDs / fluorescent lamps | 6 pcs.              |
| Fluorescent lamps, electronic ballast                  | 1000 W              |
| Fluorescent lamps, uncorrected                         | 500 VA              |
| Fluorescent lamps, series-corrected                    | 500 VA              |
| Fluorescent lamps, parallel-corrected                  | 5000 VA             |
| Switching output 1, low-voltage halogen lamps          | 1000 VA             |

|                            |                |
|----------------------------|----------------|
| Twilight setting           | 2 – 2000 lx    |
| Time setting               | 10 s – 15 Min. |
| Basic light level function | No             |
| Main light adjustable      | No             |
| Twilight setting TEACH     | No             |
| Constant-lighting control  | No             |
| Interconnection            | Yes            |
| Type of interconnection    | Master/master  |
| Interconnection via        | Cable          |

## Accessories

EAN 4007841 630119

Corner wall mount 01

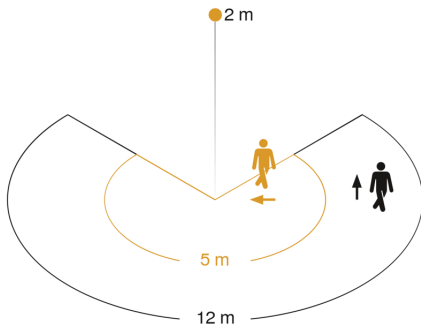
Motion detector

# IS 240 DUO

black  
EAN 4007841 602710  
Article number 602710

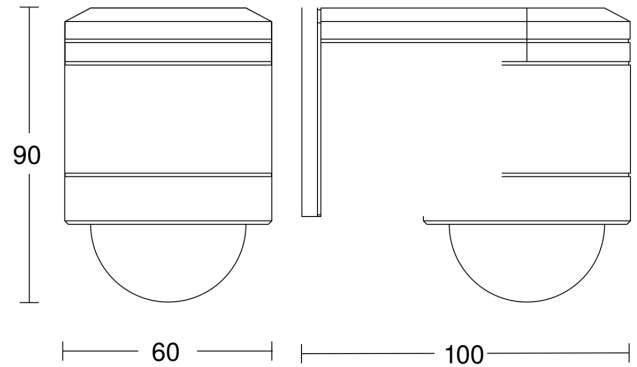


## Detection Zone

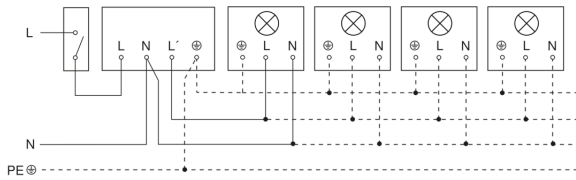


Mögliche Montagehöhe: 1,80 m – 4,00 m  
Orange: radial  
Schwarz: tangential

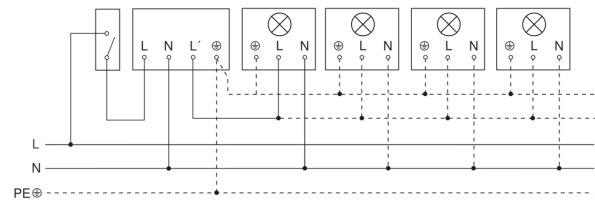
## Dimension Drawing



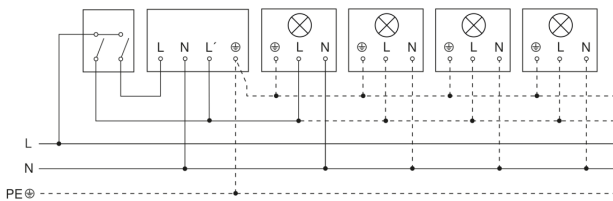
## Light without neutral conductor



## Light with neutral conductor



## Connection using two-circuit switch for manual and automatic operation



## Circuit diagram Connection via a changeover switch for continuous and automatic operation

