

IS 3360 MX Highbay

COM1 - surface, sq.
EAN 4007841 033569
Article number 033569



infrared sensor
360°



18 m

2000 W

2000 W max. (LED-ready)



IP54



2 - 1000 lux



5 sec - 15 min



manual override 4h



ideal 4 - 14 m

Teach

Teach mode



energy saving

Function description

A head for heights. Powerful reach. Reliable. IS 3360 MX Highbay motion detector – ideal for high ceilings in industrial buildings or commercial properties. For mounting heights of up to 14 m. High-precision 360° infrared sensor. Maximum reach: 18 m. For watching over up to 1000 sq.m. Available as square surface-mounted and concealed version.

Technical specifications

Dimensions (L x W x H)	65 x 95 x 95 mm	LED lamps > 2 W < 8 W	300 W
With motion detector	Yes	LED lamps > 8 W	600 W
Manufacturer's Warranty	5 years	Capacitive load in µF	176 µF
Settings via	Remote control, Potentiometers, Smart Remote	Sensor Technology	Passive infrared
With remote control	No	Mounting height	4,00 – 14,00 m
Version	COM1 - surface, sq.	Mounting height max.	14,00 m
PU1, EAN	4007841033569	Optimum mounting height	12 m
Type	Motion detectors	Detection angle	360 °
Application, place	Indoors	Angle of aperture	180 °
Application, room	high-bay warehouse, sports hall, Indoors	Sneak-by guard	Yes
Colour	white	Capability of masking out individual segments	Yes
Colour, RAL	9003	Electronic scalability	No
Includes corner wall mount	No	Mechanical scalability	No
Installation site	ceiling	Reach, radial	Ø 14 m (154 m ²)
Installation	Surface wiring, Ceiling	Reach, tangential	Ø 36 m (1018 m ²)
IP-rating	IP54	Switching zones	1416 switching zones

IS 3360 MX Highbay

COM1 - surface, sq.
 EAN 4007841 033569
 Article number 033569



Technical specifications

Ambient temperature	-20 – 50 °C
Material	Plastic
Mains power supply	220 – 240 V / 50 – 60 Hz
Switching output 1, resistive	2000 W
Switching output 1, number of LEDs / fluorescent lamps	8 pcs.
Fluorescent lamps, electronic ballast	1500 W
Fluorescent lamps, uncorrected	1000 VA
Fluorescent lamps, series-corrected	400 VA
Fluorescent lamps, parallel-corrected	400 VA
Switching output 1, low-voltage halogen lamps	2000 VA
LED lamps < 2 W	100 W

Cover material	shrouds
Functions	Normal / test mode, Manual ON / ON-OFF
Twilight setting	2 – 1000 lx
Time setting	5 s – 15 Min.
Basic light level function	No
Main light adjustable	No
Twilight setting TEACH	Yes
Constant-lighting control	No
Interconnection	Yes
Type of interconnection	Master/master
Interconnection via	Cable

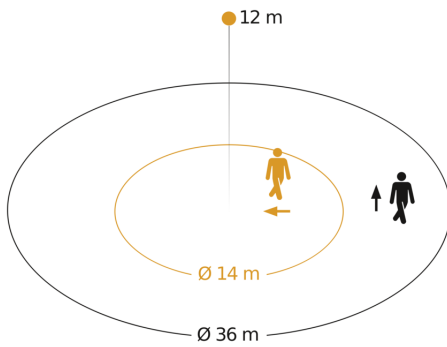
Accessories

EAN 4007841 009151	Remote control Smart Remote
EAN 4007841 559410	Service remote control RC8
EAN 4007841 056711	Black cover for IR-sensors

IS 3360 MX Highbay

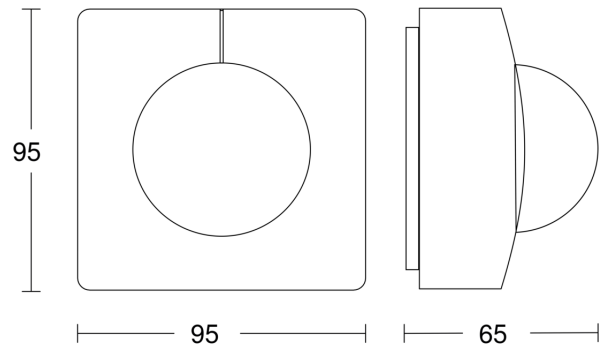
COM1 - surface, sq.
EAN 4007841 033569
Article number 033569

Detection Zone

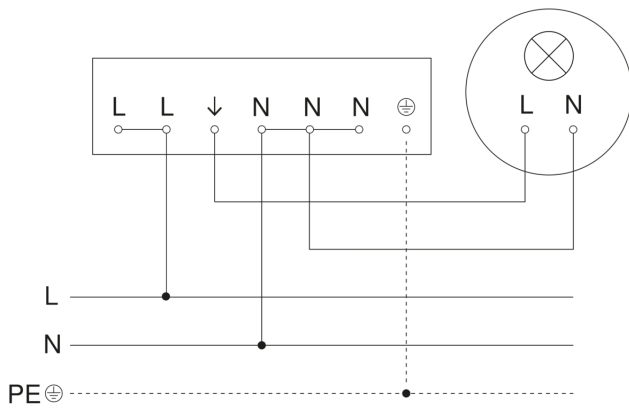


Mögliche Montagehöhe: 4,00 m - 14,00 m
Orange: radial
Schwarz: tangential

Dimension Drawing



Master circuit diagram

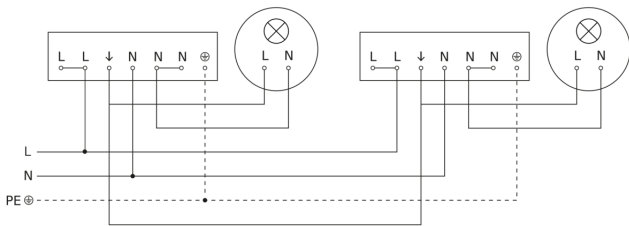


IS 3360 MX Highbay

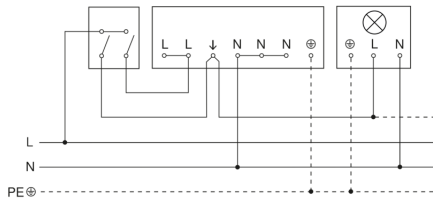
COM1 - surface, sq.
EAN 4007841 033569
Article number 033569



Master/slave interconnection circuit diagram



Connection using two-circuit switch for manual and automatic operation



Connection of 4-fold push-button coupler to DALI2 APC

