

IS 345

COM1 - surface, sq.
 EAN 4007841 010485
 Article number 010485



infrared sensor
360°



max. 20 x 4 m

2000 W

2000 W max. (LED-ready)



IP54



2 - 1000 lux



5 sec - 15 min



manual override 4h



ideal 2,5 - 5 m

Teach

Teach mode



energy saving

Function description

Huge reach. Infrared motion detector IS 345 for indoors and out, ideal for passageways, corridors and commonly used spaces, installation height 5 m, detection zone 12 x 6 m (radial) and 23 x 6 m (tangential), large terminal compartment for easy installation, heavy-duty relay for high switching capacity. Available either in round or square surface-mounted, concealed or In-ceiling installation.

Technical specifications

Dimensions (L x W x H)	65 x 95 x 95 mm	LED lamps > 2 W < 8 W	300 W
Manufacturer's Warranty	5 years	LED lamps > 8 W	600 W
Settings via	Remote control, Potentiometers, Smart Remote	Capacitive load in µF	176 µF
With remote control	No	Sensor Technology	Passive infrared
Version	COM1 - surface, sq.	Mounting height	2,50 – 5,00 m
PU1, EAN	4007841010485	Mounting height max.	5,00 m
Type	Motion detectors	Optimum mounting height	2,8 m
Application, place	Outdoors, Indoors	Detection angle	Aisle, 360 °
Application, room	corridor / aisle, multi-storey / underground car park, outdoors, Indoors	Angle of aperture	45 °
Colour	white	Sneak-by guard	Yes
Colour, RAL	9003	Capability of masking out individual segments	Yes
Includes corner wall mount	No	Electronic scalability	No
Installation site	ceiling	Mechanical scalability	No
Installation	Surface wiring, Ceiling	Reach, radial	12 x 6 m (72 m ²)
IP-rating	IP54	Reach, tangential	23 x 6 m (138 m ²)
		Switching zones	280 switching zones

IS 345

COM1 - surface, sq.
 EAN 4007841 010485
 Article number 010485



Technical specifications

Ambient temperature	-20 – 50 °C
Material	Plastic
Mains power supply	220 – 240 V / 50 – 60 Hz
Switching output 1, resistive	2000 W
Switching output 1, number of LEDs / fluorescent lamps	8 pcs.
Fluorescent lamps, electronic ballast	1500 W
Fluorescent lamps, uncorrected	1000 VA
Fluorescent lamps, series-corrected	400 VA
Fluorescent lamps, parallel-corrected	400 VA
Switching output 1, low-voltage halogen lamps	2000 VA
LED lamps < 2 W	100 W

Functions	Normal / test mode, Manual ON / ON-OFF
Twilight setting	2 – 1000 lx
Time setting	5 s – 15 Min.
Basic light level function	No
Main light adjustable	No
Twilight setting TEACH	Yes
Constant-lighting control	No
Interconnection	Yes
Type of interconnection	Master/master
Interconnection via	Cable

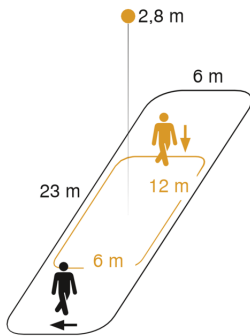
Accessories

EAN 4007841 009151	Remote control Smart Remote
EAN 4007841 559410	Service remote control RC8
EAN 4007841 056711	Black cover for IR-sensors

IS 345

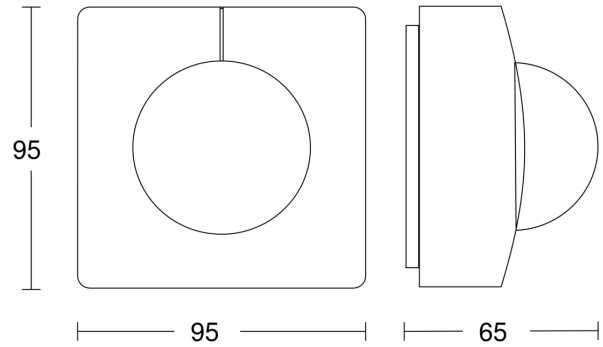
COM1 - surface, sq.
EAN 4007841 010485
Article number 010485

Detection Zone

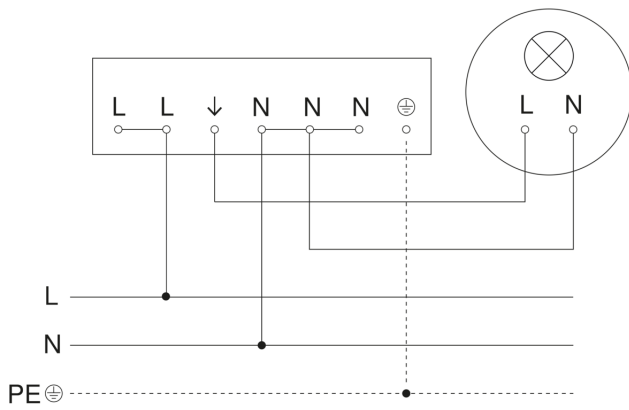


Mögliche Montagehöhe: 2,50 m – 5,00 m
Orange: radial
Schwarz: tangential

Dimension Drawing



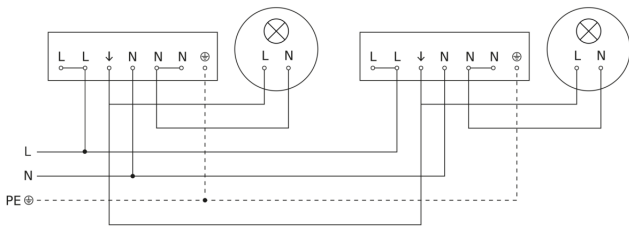
Master circuit diagram



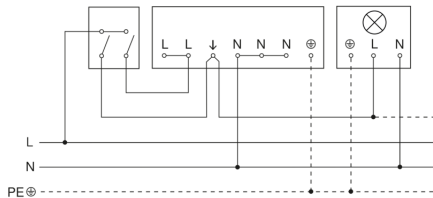
IS 345

COM1 - surface, sq.
EAN 4007841 010485
Article number 010485

Circuit diagram for interconnecting several sensors



Connection using two-circuit switch for manual and automatic operation



Circuit diagram Connection via a changeover switch for continuous and automatic operation

