

Technical data sheet

Flat angle, for device installation trunking Rapid 45-2
type GK-53100
Item no. 6113080



Flat angle for changing the direction of the Rapid 45-2 device installation trunking.

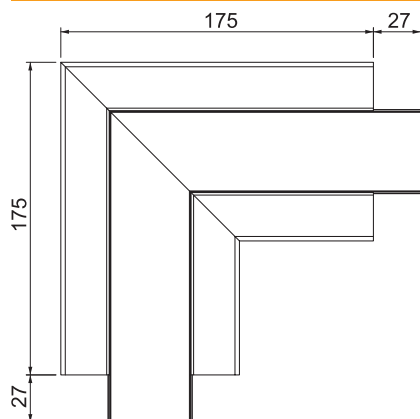


PVC Polyvinylchloride

Master data

Item no.	6113080
Type	GK-FS53100RW
Description 1	Flat angle
Description 2	rigid form
Dimension	200x200x100
Colour	Pure white
RAL number	9010
Material	Polyvinylchloride
Material symbol	PVC
Smallest sales unit (VG)	1 Piece
Weight	34,60 kg/100 pc.

Technical data



Number of covers	1
Version for	Base and cover
for duct dimension	53 x 100 mm
for duct width	100,00 mm
for trunking height	53,00 mm
Halogen-free	<input type="checkbox"/>
Cable retaining clip	<input type="checkbox"/>
Duct connector	<input type="checkbox"/>
Cover mounting type	Internal
Mounting perforation in base	<input checked="" type="checkbox"/>
Cover width	45 mm
Cover width 2	0,00 mm
Cover width 3	0,00 mm
Change of direction	Vertical, rising/falling
Protective film	<input checked="" type="checkbox"/>
Symmetrical	<input checked="" type="checkbox"/>
Angle range	90,00 - 90,00 °