

# Technical data sheet

## Trunking, type WDK 15015

Item no. 6191002



Trunking cover and base with base perforation.  
Covered

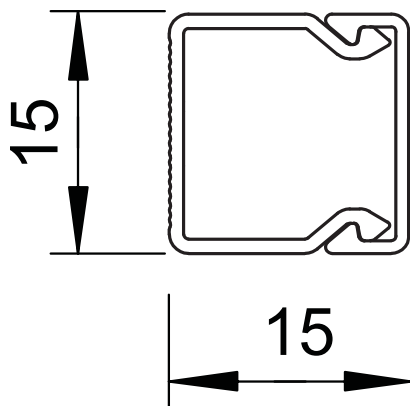


**PVC** Polyvinylchloride

### Master data

Item no.	6191002
Type	WDK15015RW
Description 1	Wall trunking system
Description 2	with base perforation
Dimension	15x15x2000
Colour	Pure white
RAL number	9010
Material	Polyvinylchloride
Material symbol	PVC
Smallest sales unit (VG)	56 m
Weight	9,00 kg/100 m

### Technical data



Length	2.000,00 mm
Width	15,00 mm
Height	15,00 mm
Number of cables NYM 3 x 1.5 mm <sup>2</sup> Ø 10.5 mm (without socket)	1
Number of fixed partitions	0
Number of insertable partitions	0
Cover version	Loose
Fastening type	Base perforation
Halogen-free	<input type="checkbox"/>
Cable retaining clip	<input type="checkbox"/>
Duct connector	<input type="checkbox"/>
Protective film	<input type="checkbox"/>