

# Technical data sheet

## Trunking, type WDK 60060

Item no. 6191193



Trunking cover and base with base perforation.

Four cover clips included

Lid clamp can be moved along the entire length of the trunking.

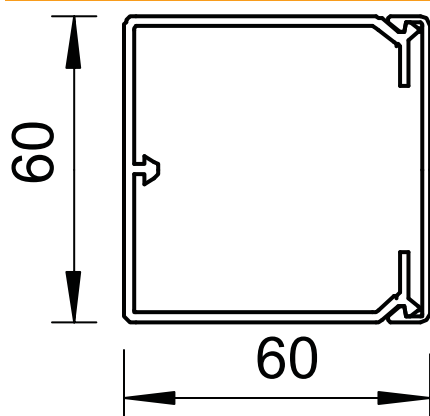


**PVC** Polyvinylchloride

### Master data

Item no.	6191193
Type	WDK60060RW
Description 1	Wall trunking system
Description 2	with base perforation
Dimension	60x60x2000
Colour	Pure white
RAL number	9010
Material	Polyvinylchloride
Material symbol	PVC
Smallest sales unit (VG)	32 m
Weight	81,60 kg/100 m

### Technical data



Length	2.000,00 mm
Width	60,00 mm
Height	60,00 mm
lampDimension WxH	60 x 60 mm
Number of cables NYM 3 x 1.5 mm <sup>2</sup> Ø 10.5 mm (without socket)	16
Number of cables NYM 3 x 2.5 mm <sup>2</sup> Ø 11.5 mm (without socket)	13
Number of cables NYM 5 x 1.5 mm <sup>2</sup> Ø 12.0 mm (without socket)	12
Number of fixed partitions	0
Number of insertable partitions	1
Cover version	Loose
Fastening type	Base perforation
Halogen-free	<input type="checkbox"/>
Cable retaining clip	<input checked="" type="checkbox"/>
Duct connector	<input type="checkbox"/>
Protective film	<input type="checkbox"/>