

Manufacturer

GROMTOR Sp. z o.o.

Ul. Iwazkiewicza 22/5, 52-211 Wrocław

NIP: 8992853476 REGON: 381817326

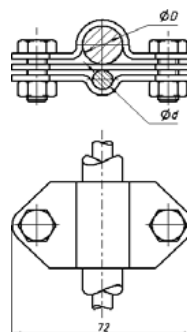
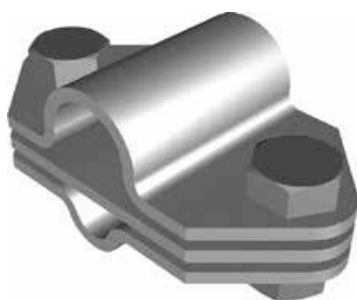
tel: +48 733 788 655 mail: info@gromtor.pl

DATA SHEET

2 screws clamp: wire, rod, flat conductor GROMTOR

Product code:

110112



Description	Bolt	Size [mm]	Material	Code
d 6-10 mm / D 16 mm	M8x16	L-72	FeZn	110112

According to the standard: PN-EN 62561-1 2012

Meets the requirements of the standard: PN-EN 62305-3

Used for parallel connecting wire 6-10 mm and a rod 16mm.

5-year warranty