

Manufacturer

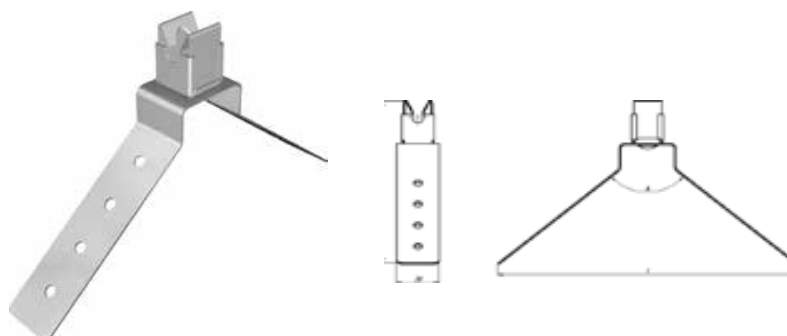
GROMTOR Sp. z o.o.
Ul. Iwaszkiewicza 22/5, 52-211 Wrocław
NIP: 8992853476 REGON: 381817326
tel: +48 733 788 655 mail: info@gromtor.pl

DATA SHEET

Peak plastic holder for wire GROMTOR

Product code:

406112



Description	Size [mm]	Material	Code
For wire 8 mm	H-50	FeZn - Inox	406112

Meets the requirements of the standard: PN-EN 62305
Used for leading wires on the roofs' peak covered with tinwares.
warranty.

Five-year